

TagMeter
Systems



TMU25

25mm (1")
ultrasonic
non-moving part
consumer water meter

The TagMeter® TMU series is a unique range of ultrasonic water meters without moving parts and a full bore flow tube. They are ideal for use where mechanical meters traditionally fail due to air or grit in the water or high ambient and liquid temperature conditions. Non-measurement of air improves customer billing reliability.



GENERAL SPECIFICATIONS

Principle of Operation
Battery life
Display
Enclosure rating
Interfaces

Materials

Reverse Flow
Strainers/non-return valve

Ultrasonic transit time using inline flow cell
10 years at least
9 digit LCD
IP68 to BS EN 60529:1992
Pulse Output
Inductive communication port (PAD)
Serial interface for AMR
Wetted parts: EMS Grivory HTV-4X1 black 9225 (WRAS listed)
Other parts: Polycarbonate
Indicated but not accumulated
Not required to protect meter

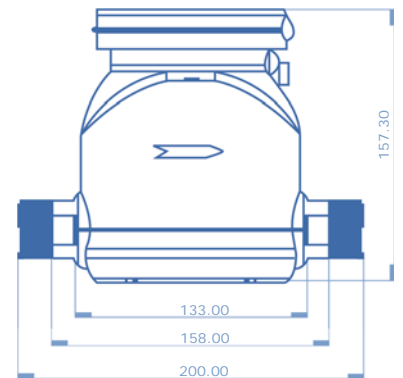
METER SPECIFICATIONS

Nominal bore DN
Normal flow rate (ISO4064) Q_n
Meter connection thread
Meter length
Weight
ISO4064 Class C performance
Maximum flow rate Q_{max}
Minimum flow rate Q_{min}
Transitional flow rate
OIML R49 performance
Q₃
Q₃/Q₁
Maximum ambient temperature
Maximum liquid temperature
Pressure rating
Head loss at Q_{max}, Q₄

25 mm
3.5 m³/h
1"
200 mm
0.7 kg

7.0 m³/h
35.0 l/h
52.5 l/h

6.3 m³/h
160
85°C
85°C
PN10/16
<0.05 MPa



CONTACT TagMeter®

URL: <http://www.tagmeter.com>
Tel: +31 (0)165 553 360

E-mail: info@tagmeter.com
Fax: +31 (0)165 551 480